

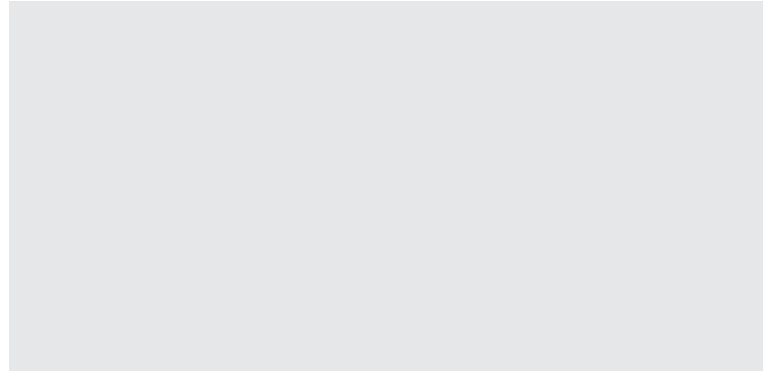
JUMPER RG58 CABLE

N female and N male

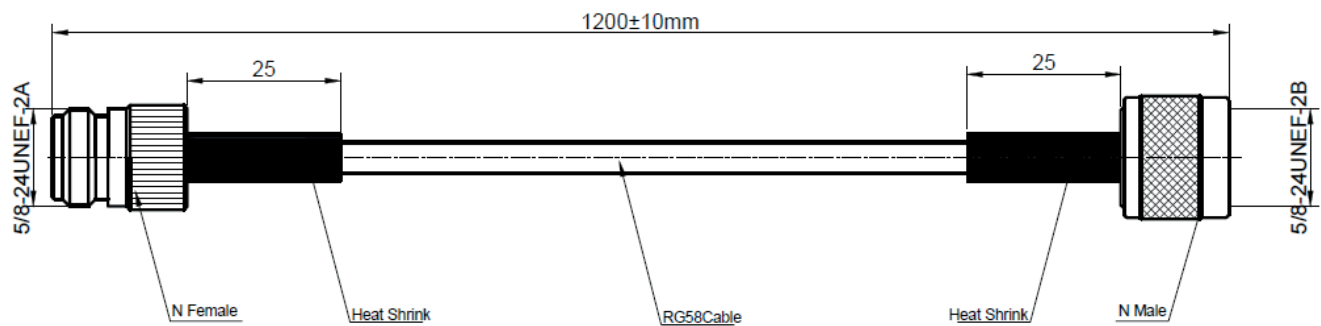
BDA-NM-RG58-12-NF

Product Features

- Low VSWR
- Low Insertion Loss
- Robust Design



Specification	Value
Connector	N Male - N Female
Type of Cable	RG58
Length of cable	48 Inch
Center conductor material	Phosphore bronze - Gold plating & Brass - Gold plating
Insulator material	PTFE
Body connector material	Brass - Nickel Plating
Impedance	50 Ohms
Frequency range	0 - 6 GHz
VSWR	1.15 (0-3GHZ)



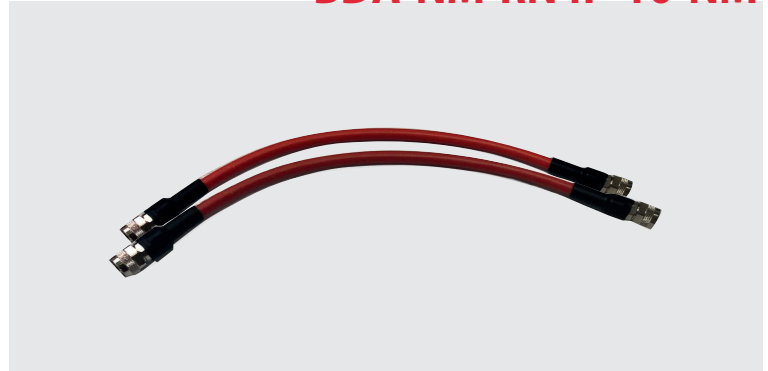
JUMPER RN-400 CABLE

N female and N male

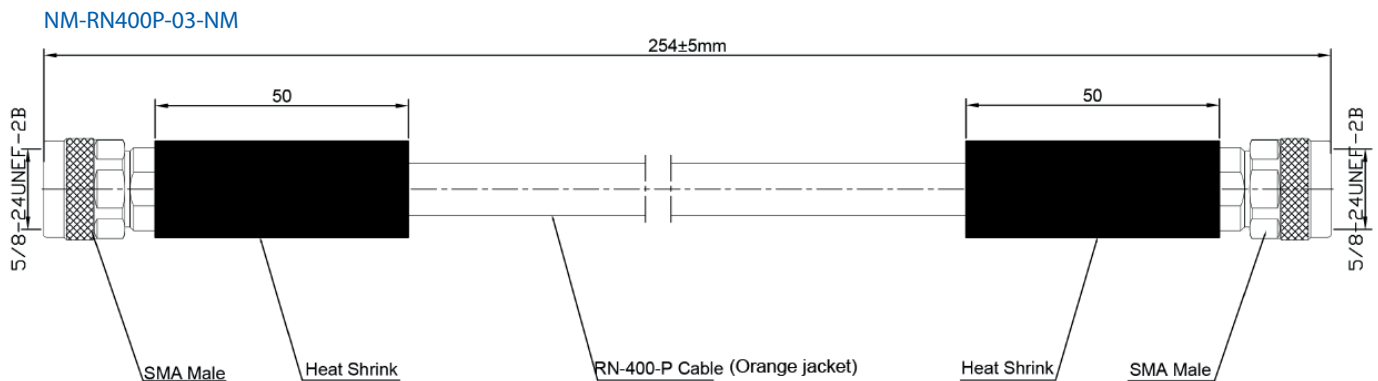
BDA-NM-RN4P-03-NM
BDA-NM-RN4P-05-NM
BDA-NM-RN4P-10-NM

Product Features

- Low VSWR
- Low Insertion Loss
- Robust Design



Specification	03-NM	05-NM	10-NM
Connector	N Male both ends	N Male both ends	N Male both ends
Type of Cable	RN-400-P	RN-400-P	RN-400-P
Length of cable	10 Inch	18 Inch	37 Inch
Center conductor material	Brass - Gold Plating	Brass - Gold Plating	Brass-Gold Plating
Insulator material	PTFE	PTFE	PTFE
Body connector material	Brass - Nickel Plating	Brass - Nickel Plating	Brass-Nickel Plat.
IMmpedance	50 Ohms	50 Ohms	50 Ohms
Frequency range	0 - 6 GHz	0 - 6 GHz	0 - 6 GHz
VSWR	1.15 (0-3GHZ)	1.15 (0-3GHZ)	1.15 (0-3GHZ)

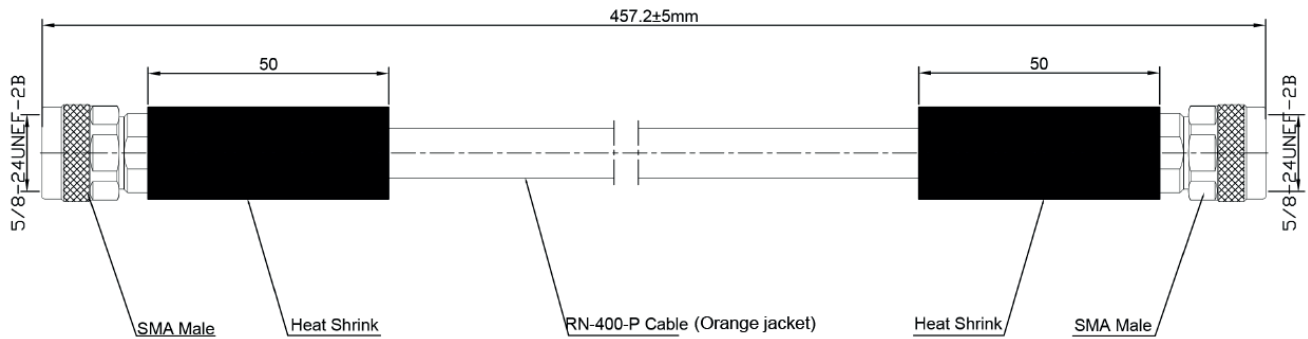


JUMPER RN-400 CABLE

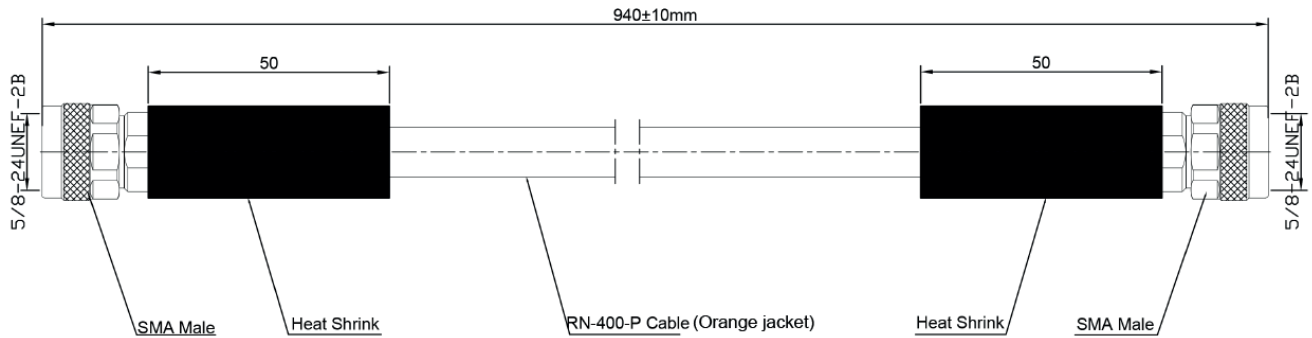
N female and N male

BDA-NM-RN4P-03-NM
BDA-NM-RN4P-05-NM
BDA-NM-RN4P-10-NM

NM-RN400P-05-NM



NM-RN400P-10-NM



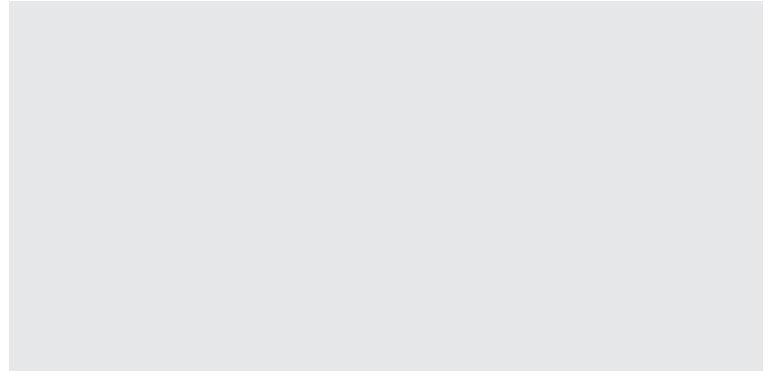
JUMPER RG58

N male and N male

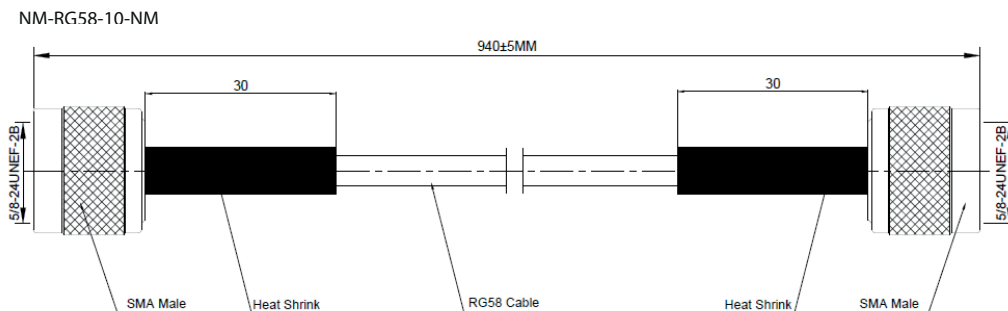
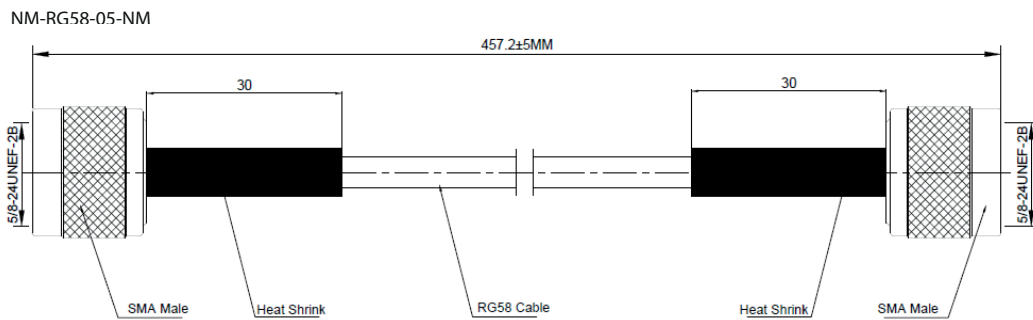
BDA-NM-RG58-05-NM
BDA-NM-RG58-10-NM

Product Features

- Low VSWR
- Low Insertion Loss
- Robust Design



Specification	05-NM	10-NM
Connector	N Male both ends	N Male both ends
Type of Cable	RG58	RG58
Length of cable	18 Inch	37 Inch
Center conductor material	Brass - Gold Plating	Brass-Gold Plating
Insulator material	PTFE	PTFE
Body connector material	Brass - Nickel Plating	Brass-Nickel Plat.
IMpedance	50 Ohms	50 Ohms
Frequency range	0 - 6 GHz	0 - 6 GHz
VSWR	1.15 (0-3GHZ)	1.15 (0-3GHZ)



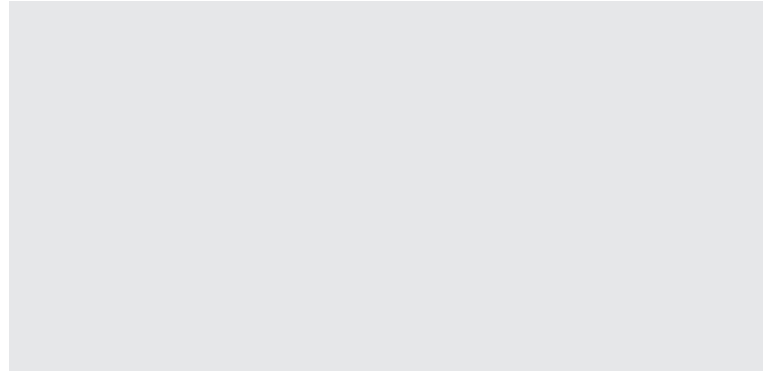
JUMPER RG8

N male and N male

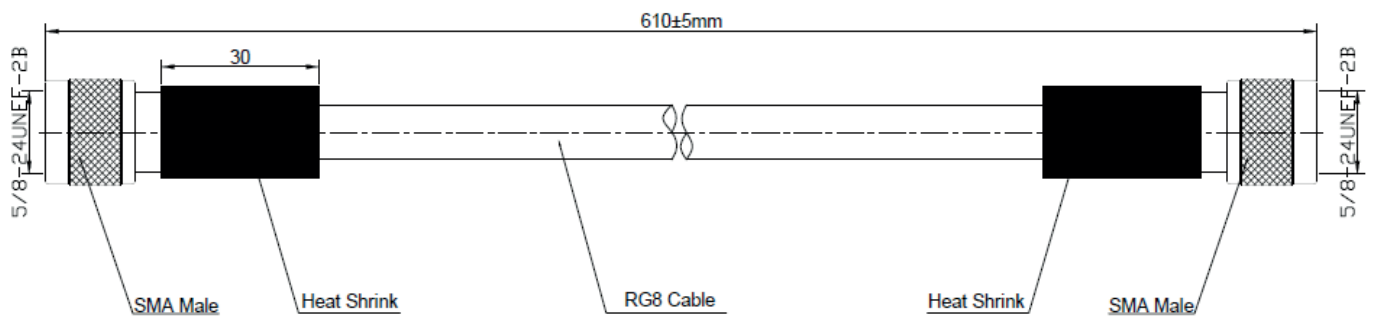
BDA-NM-RG8-08-NM

Product Features

- Low VSWR
- Low Insertion Loss
- Robust Design



Specification	Value
Connector	N Male both ends
Type of Cable	RG8
Length of cable	24 Inch
Center conductor material	Brass - Gold Plating
Insulator material	PTFE
Body connector material	Brass - Nickel Plating
IMmpedance	50 Ohms
Frequency range	0 - 6 GHz
VSWR	1.15 (0-3GHZ)

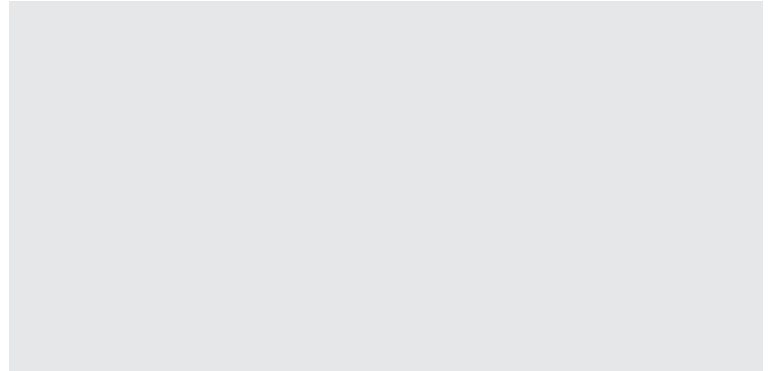


JUMPER 1/4" S N male and N male

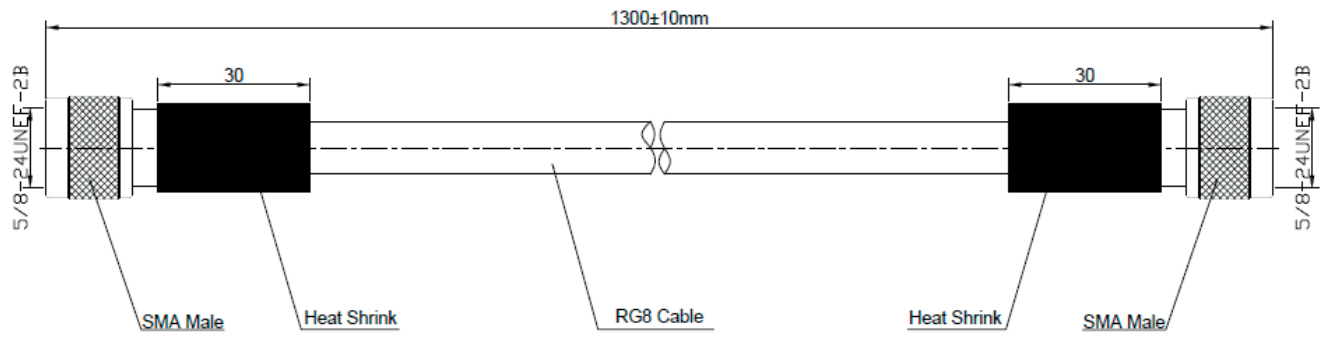
BDA-NM-RG8-13-NM

Product Features

- Low VSWR
- Low Insertion Loss
- Robust Design



Specification	Value
Connector	N Male both ends
Type of Cable	RG8
Length of cable	51 Inch
Center conductor material	Brass - gold Plating
Insulator material	PTFE
Body	Brass - Nickel plating
Impedance	50 Ohms
Frequency range	0 - 6 GHz
VSWR	< 1.15 (0-3GHz)
Insulation resistance	> = 5000M Ohms



DOC HON-62084.01 - 04232021 - DMC

Honeywell Business Solutions
715 Peachtree Street NE
Atlanta, GA 30308
www.honeywell.com

HON-62084.01 • 04232021
©2020 by Honeywell International Inc. All rights reserved.
Unauthorized use of this document is strictly prohibited.
This document is not intended to be used for installation purposes. We try to keep our product information up-to-date and accurate. We cannot cover all specific applications or anticipate all requirements. All specifications are subject to change without notice.
Country of origin: U.S.A.

**THE
FUTURE
IS
WHAT
WE
MAKE IT**
Honeywell