

HIGH POWER DIRECTIONAL COUPLER

698 - 2690 MHz

BDA-DCxx-W2

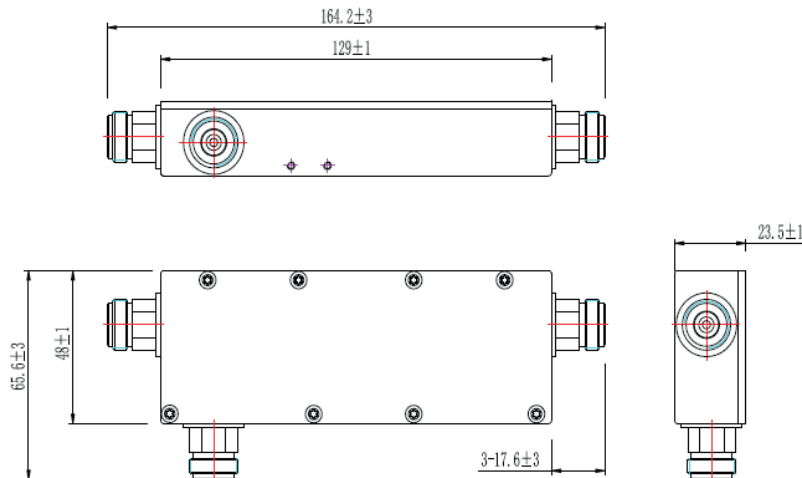
Product Applications

Fiplex RSA Series of RF Directional Couplers are passive devices designed to provide unequal power distribution to the output ports.

Due to the internal configuration, this devices have a low VSWR value in all ports (less than 1.3:1, based on 50 ohms characteristic impedance) and low incidental insertion loss. Standard coupling values are 6dB, 10dB, 15dB, 20dB and 30dB, other power ratios available upon request.



Specification	Value					
Product Number	DC6-W2	DC8-W2	DC10-W2	DC15-W2	DC20-W2	DC30-W2
Coupling(dB)	6	8	10	15	20	30
Accuracy(dB)	±0.8	±0.8	±1.0	±1.2	±1.2	±1.5
Insertion Loss(dB)	≤1.75	≤1.30	≤0.80	≤0.50	≤0.40	≤0.40
Isolation	≥26	≥28	≥28	≥32	≥35	≥45
Freq	698 - 2690 MHz					
VSWR	≤1.25					
Power Rating	300W (average Per Port)					
Impedance	50 ohm					
Connector	N-female					
Color	Red-plated					
Operating Temperature	-25°C to +75°C					
Weight	0.38 kg					



DOC HON-62073 - 10202022 - DMC
 Fiplex is a registered trademark of Fiplex Communications, Inc.
 Fiplex Communications, Inc. reserves the right to change specifications without prior notice.

Honeywell Building Technologies
 715 Peachtree Street NE
 Atlanta, GA 30308
www.honeywell.com

HON-62073 • 10202022
 ©2020 by Honeywell International Inc. All rights reserved.
 Unauthorized use of this document is strictly prohibited.
 This document is not intended to be used for installation purposes. We try to keep our product information up-to-date and accurate. We cannot cover all specific applications or anticipate all requirements. All specifications are subject to change without notice.
 Country of origin: U.S.A.

**THE
 FUTURE
 IS
 WHAT
 WE
 MAKE IT**

Honeywell