

# HIGH POWER DIRECTIONAL COUPLER

## 698 - 2690 MHz

**BDA-DCxx-W2**

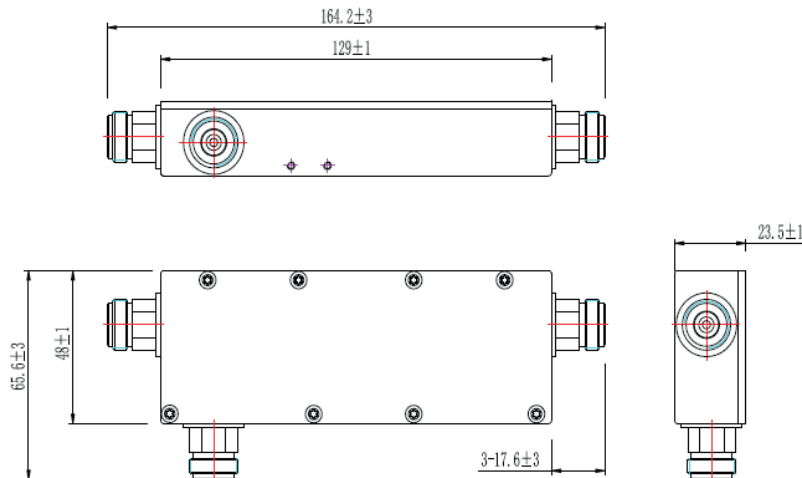
### Product Applications

Fiplex RSA Series of RF Directional Couplers are passive devices designed to provide unequal power distribution to the output ports.

Due to the internal configuration, this devices have a low VSWR value in all ports (less than 1.3:1, based on 50 ohms characteristic impedance) and low incidental insertion loss. Standard coupling values are 6dB, 10dB, 15dB, 20dB and 30dB, other power ratios available upon request.



Specification	Value				
Product Number	DC6-W2	DC10-W2	DC15-W2	DC20-W2	DC30-W2
Coupling(dB)	6	10	15	20	30
Accuracy(dB)	±0.8	±1.0	±1.2	±1.2	±1.5
Insertion Loss(dB)	≤1.75	≤0.80	≤0.50	≤0.40	≤0.40
Isolation	≥26	≥28	≥32	≥35	≥45
Freq	698 - 2690 MHz				
VSWR	≤1.25				
Power Rating	300W (average Per Port)				
Impedance	50 ohm				
Connector	N-female				
Color	Red-plated				
Operating Temperature	-25°C to +75°C				
Weight	0.38 kg				



DOC HON-62073 - 1 10202020 - DMC  
 Fiplex is a registered trademark of Fiplex Communications, Inc.  
 Fiplex Communications, Inc. reserves the right to change specifications without prior notice.

**Honeywell Business Solutions**  
 715 Peachtree Street NE  
 Atlanta, GA 30308  
[www.honeywell.com](http://www.honeywell.com)

HON-62073 • 10202020  
 ©2020 by Honeywell International Inc. All rights reserved.  
 Unauthorized use of this document is strictly prohibited.  
 This document is not intended to be used for installation purposes. We try to keep our product information up-to-date and accurate. We cannot cover all specific applications or anticipate all requirements. All specifications are subject to change without notice.  
 Country of origin: U.S.A.

**THE  
 FUTURE  
 IS  
 WHAT  
 WE  
 MAKE IT**

**Honeywell**