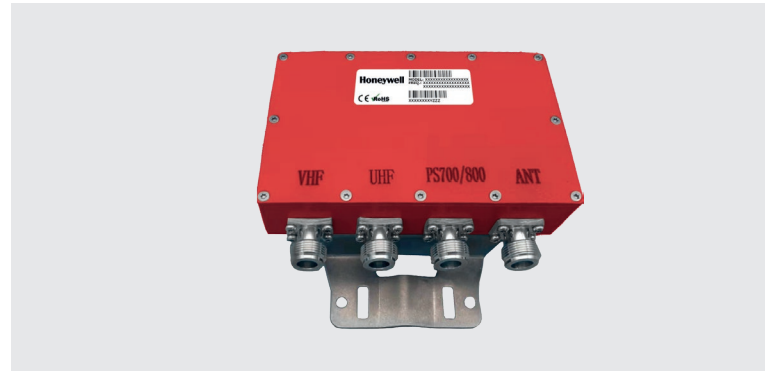


# MULTIBAND COMBINER

## VHF + UHF + 700/800 MHz

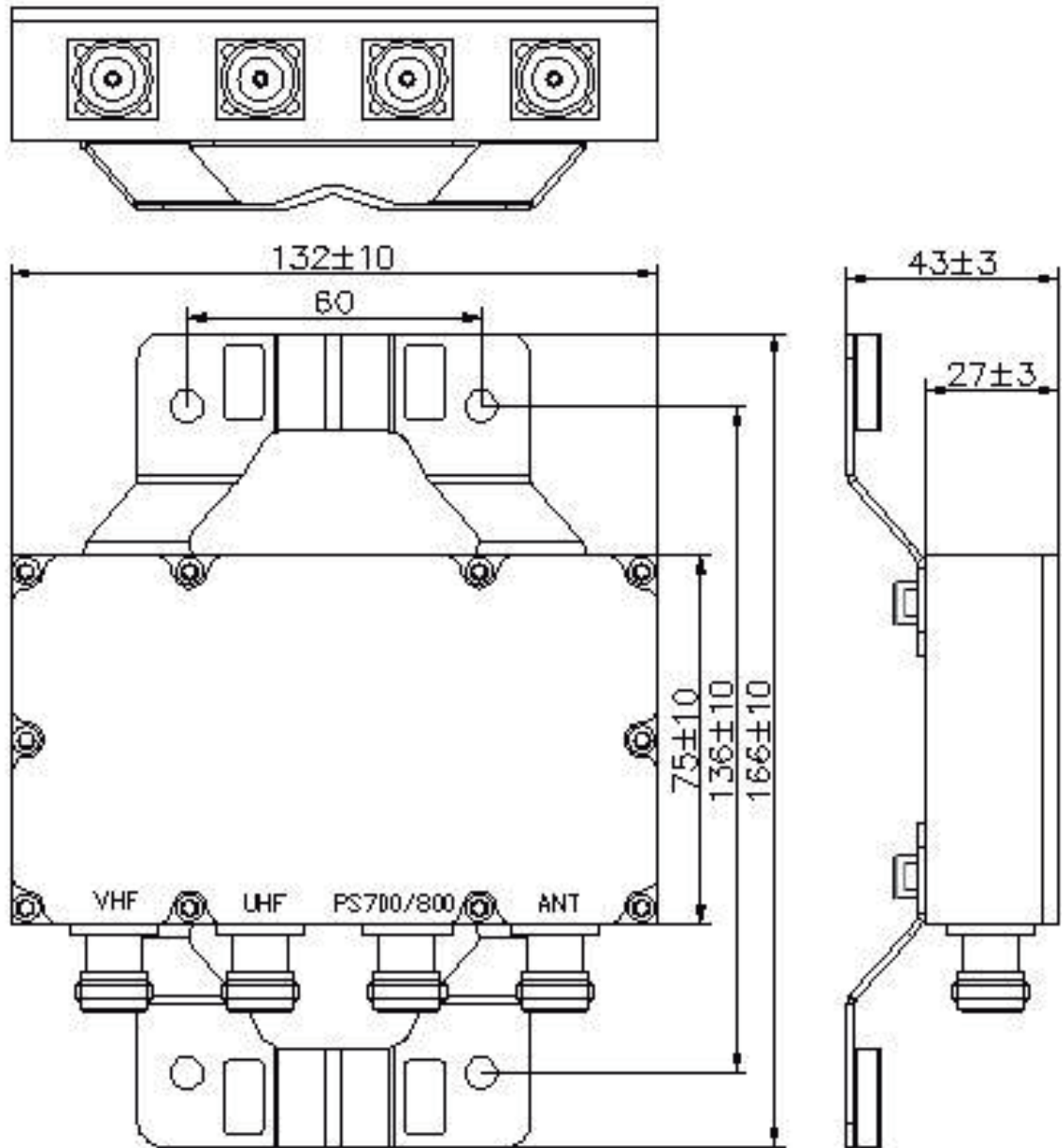
**BDA-MBC-312**



Specification	Value
Type	Multiband Combiner
Input Bands	88 - 174 MHz 380 - 510 MHz 760 - 870 MHz
Number of inputs per band	1
Number of multiband outputs	1
Insertion loss	<= 0.5 @ 88 - 174 MHz <= 0.6 @ 380 - 510 MHz <= 0.6 @ 760 - 870 MHz
Between bands isolation	>50 dB
Return loss	18 dB min
Impedance	50 ohms
Power input	50W average per port
Connectors	N (f)
Temperature range	-40° to +85° C
Humidity	95% non condensing
Dimension	5.19 x 2.9 x 1.0 in • 132 x 75 x 27 mm (without brackets)
Housing	IP67, Outdoor Use
Mounting	Wall mount / Pipe mount
MTBF	>1,000,000 hours

MULTIBAND COMBINER  
VHF + UHF + 700/800 MHz

**BDA-MBC-312**



DOC HON-62070.01 - 10202020 - DMC

**Honeywell Business Solutions**  
715 Peachtree Street NE  
Atlanta, GA 30308  
www.honeywell.com

HON-62070.01 • 10202020  
©2020 by Honeywell International Inc. All rights reserved.  
Unauthorized use of this document is strictly prohibited.  
This document is not intended to be used for installation purposes. We try to keep our product information up-to-date and accurate. We cannot cover all specific applications or anticipate all requirements. All specifications are subject to change without notice.  
Country of origin: U.S.A.

**THE  
FUTURE  
IS  
WHAT  
WE  
MAKE IT**

**Honeywell**